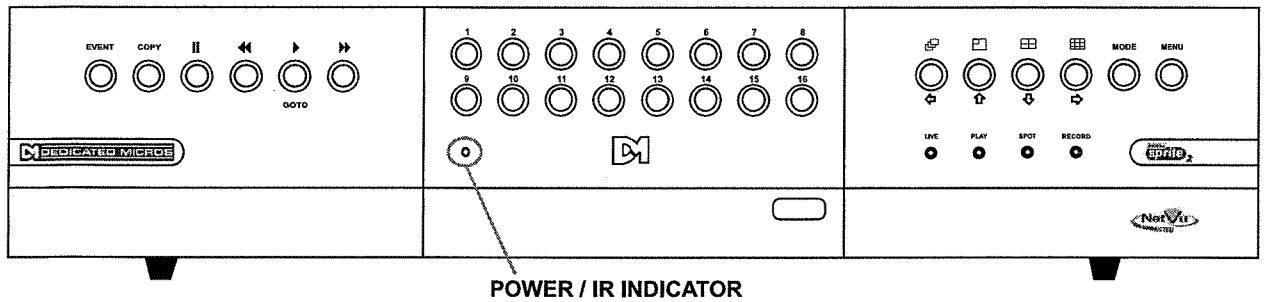


Operating **DIGITAL** **sprite**₂



16 way model shown

Playing back images from the disk

Playback

- To playback images tap **◀** to rewind to the desired location and then press **▶**. This will put the Digital Sprite 2 into Play mode.
- When in playback, tap **◀** or **▶** to rewind or fast forward, multiple taps will increase the search speed.
- Tap **II** to pause the current image. Tapping **◀** or **▶** whilst paused will frame advance or rewind.
- Press **▶** to return to play mode.
- Pressing **▶** again will switch the unit into review mode.

Play Mode

Play mode will display real time viewing of recorded images, to maintain real time the unit can drop frames if necessary.

Review Mode

Review mode is a review of all recorded images, the unit will slow down to ensure every images is displayed.

Goto time

Press and hold **▶** (GOTO) to play back from a specific time or date. Enter the required time and date using the cursor keys, and press **▶**.

Tip: The images are updated in the background automatically when the time and date is adjusted.

Exit playback

Tap the **Mode** key to exit playback mode. The play LED will be off.

Using the Event log

Alarms and activity detection are tagged and stored in the event log for easy retrieval. Each event is labelled with event type (alarm or activity), its camera title, time, and date. To view an event from the event log:

- Tap **Event** to display the Event Log.
- Use **↑** and **↓** to select the event required, the selected event is displayed in the preview window.
- Tap **▶** to view the event in full screen.
- Tap **Mode** to exit the Event Log.

Tip: Use **◀** and **▶** to page through the Event Log.

Filtering the Event log

It is possible to filter the list of events displayed in the Event Log, the filter options are: search type, event type, time and date and camera input.

- With the Event Log displayed press the **Event** key again. Note: The Event Filter option can be accessed from Live mode by pressing and holding the **Event** key.
- Use the **↑** and **↓** to select the Search Type.
- Highlight the Event Type and use **↑** or **↓** to scroll through the options.

- Enter the time From and time To or select Time Now.
- Use the camera keys to include / exclude cameras.
- Press the **Event** key to see the filtered event log.

Tip: It is advisable to filter the events before displaying them when recording over a number of days.

Activity Data Search

It is possible to carry out an advanced search on recorded video images to find a specific incident or a section of the recording containing activity. This filter process allows the Operator to select the search parameter Activity data. It is then possible to highlight the area of the image for activity. The Digital Sprite 2 will then find all associated recordings for review.

Note: The Activity Data search will be possible whether the Detection option is enabled or disabled as the unit will continually record video images. It is possible to highlight a section of the recorded video and create a post recording event by using this feature.

The screenshot shows a control panel with the following elements:

- Search Type:** A dropdown menu currently set to "Activity Data", with "Event Log" as an alternative option.
- Event Type:** A dropdown menu currently set to "Setup", with "All / Alarm / System / VMD" as an alternative option.
- Filter from:** A time input field set to "00:00".
- Filter to:** A time input field set to "12:00".
- Time now:** A button labeled "Time now" that updates the "Filter to" field to the current time.
- Camera Select:** A row of nine numbered buttons (1-9). Below them are five checkboxes, with the first four (1-4) being checked and the last five (5-9) being unchecked.

Search Type

The search type allows you to select between Activity Data or Event Log.

Event type

If Activity Data has been selected then edit the activity grid to identify the area of interest on the selected camera. If Event Log is selected it is possible to select between alarms, system, VMD or all of these to locate an image.

Filter from

Select the time and date of the first event to be displayed. If there is no event at the selected time, the next nearest event is displayed.

Filter to

Select the time and date of the last event to be displayed. If there is no event at the selected time, the next nearest event is displayed.

Time now

Moving the cursor onto the 'time now' text changes the 'Filter to' option to the current time and date.

Camera select

Use the camera keys to toggle the camera in or out of the filter, associated events will be displayed.

In the example above only cameras 1 to 4 will be displayed in the event log.

The Digital Sprite 2 will search the hard disk for the relevant recorded images as configured. Once it has generated a list of 20 (PAL units) or 18 (NTSC units) events the Event Log will be displayed.

Note: The search can be cancelled at any time by tapping the Event key; any event found up to that point will only be displayed in the Activity List.

Viewing cameras on the Spot monitor

To select control of the spot monitor, press the **Mode** key (or Spot key on the remote keyboard) this will toggle the unit between Main and Spot mode which is indicated on the main monitor (SPOT) and the front panel LED's. Press a camera key to display the corresponding image on the spot monitor or tap the Sequence key to sequence the cameras. To edit the Spot monitor sequence, press and hold the **Sequence** key. Select the cameras that are to be included in the Spot monitor sequence.

Copying images to a CD/DVD-R or FTP Server

Recorded images stored on the unit's internal hard drives can be copied to an external media for archive purposes, including CD-R/DVD-R and an FTP Server. To copy images to a CD-R/DVD-R or FTP:

1. Press and hold the **Copy** key to display the following screen.

Copy Images	
Copy destination	FTP
Copy from time	12:01:00 01/12/2001
Copy to time	12:02:00 01/12/2001
Watermarking	Enabled
Unprotect on archive	Disabled

Copy destination It is possible to either copy images to a CD writer or to a remote FTP Server using file transfer protocol.

Copy from time Select the start time you wish to copy images from.

Copy to time Select the time you wish to copy images to.

Watermarking A unique watermark can be added to the images as it is copied to it's destination.

Unprotect on archive If an image has been manually or automatically protected it is possible to remove this protect when the image is archived, to ensure archived images will be over-written.

Note: A User Write Once option will be displayed in the Copy Images menu if the option has been enabled in the system menus. This option will allow the Operator to reset the write once option.

2. If images are to be copied to the internal CD/DVD writer, insert a blank CD-R or DVD-R into the CD/DVD drive and select the CD-R/DVD option.

If the images are to be copied to an FTP Server ensure the FTP settings have been configured in the 'Record Options - Archive on Event' Menu.

3. Use the cursor keys to change the time to copy **To** and **From**.

4. Tap the **Menu** key to display the following menu:

Disk Archive List	
Disk type	CD Capacity (MB): 702
CD Use	[------] 4% Full
From	To
12:00 01/12/01	12:01 01/01/2001
Next 12:01 01/12/01 to 12:02 01/12/01	
Add next	Clear List Archive Archive & Verify

FTP Archive List	
From	To
12:00 01/12/01	12:01 01/01/2001
Next 12:01 01/12/01 to 12:02 01/12/01	
Add next	Clear List Archive

Add next

Add the selected times to the archive list.

Clear list

Removes all entries from the list.

Archive

This will start the archive process to the CD.

Archive & Verify

This is only displayed when CD/DVD is selected. If you want to verify archiving has been successful, select this option.

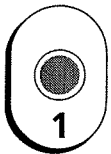
Copy Playback Images

It is also possible to copy images that are being reviewed in playback mode directly to the Disk Archive List for burning to the internal CD/DVD writer. To copy images in playback:

1. Press **◀** to rewind (search) the recorded images to the start position of the images that are to be copied.
2. Press the **Copy** key on the front panel of the unit.
3. Press **▶** or **▶▶** until the recording reaches the end point of the required video recording.
4. Press the **Copy** key to stop the copy process.

The recorded images will be added to the Disk Archive List and can be selected to be saved to the internal CD/DVD.

Viewing single cameras



Full

Pressing a camera key will display a full screen image of that camera.

Zooming an image

Press the same camera key to toggle zoom on and off.

When zoom is enabled, use **◀▶** **↑↓** to scroll around the image.

Freezing an image

Double tap the camera key or press the **Hold** key on the remote keyboard to toggle freeze frame on or off.

Viewing multiple cameras



Picture in Picture

Press the **PIP** key to toggle the main and PIP image.

Press and hold the **PIP** key to edit the display, use **◀▶** **↑↓** to select the segment, press the required camera key to fill that segment.

Press **Menu** to exit.



Quad

Press the **QUAD** key to switch to quad display.

Press and hold the **QUAD** key to edit the display, use **◀▶** **↑↓** to select the segment, press the required camera key to fill that segment.

Press **Menu** to exit.



Multi-screen

Press the **Multi-screen** key to toggle between 9-way, 8+2, 12+1*, and 16-way* displays.

Press and hold the **Multi-screen** key to edit the display, use **◀▶** **↑↓** to select the segment, press the required camera key to fill that segment.

Press **Menu** to exit.

Note: It is possible to have Live, Play and Review images displayed in the same multiscreen. With a segment highlighted, select the camera to be viewed (Live mode), press **▶** to put the unit in Play mode for the selected camera, press **▶** again to put the unit in Review mode for the selected camera.

**16 channel version only.*

Sequencing cameras



Sequence

Press the **Sequence** key to toggle the main monitor sequence on or off.

Press and hold the **Sequence** key to edit the full screen sequence.

Use the camera keys to include or remove cameras from the sequence.

Press **Menu** to exit.

Note: The Spot monitor sequence can only be activated or edited in Spot mode.